


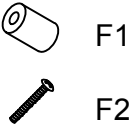

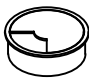

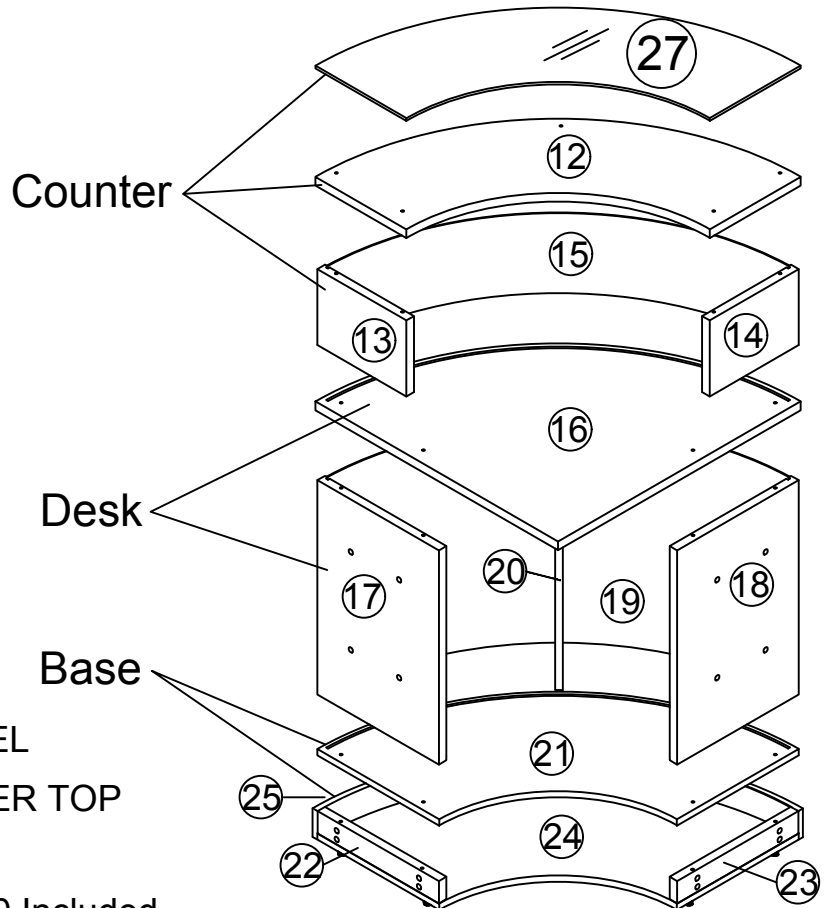


Assembly HARDWARE					
S/N	PICTURE	NAME	TOTAL QTY		REMARK
A		CAM SCREW	20PCS		
B		KLIX CAM	20PCS		
C		CAM COVER STICKER	28PCS		use cam covers to cover any klix cam
F	 F1 F2	GLASS SPACERS SCREWS	5PCS		
G		CONNECTOR SCREW	4PCS		Use to connect to another desk
H		GROMMET	2PCS		
I		LEVELER	5PCS		

### PART LIST

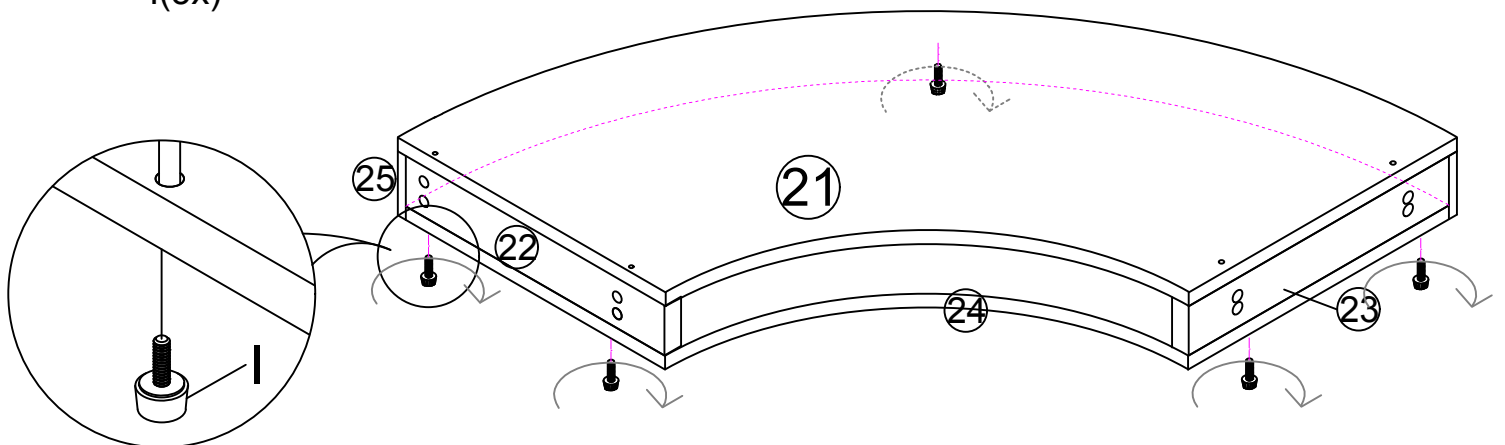
- ⑫ COUNTER TOP
- ⑯ DESK TOP
- ⑬⑭ COUNTER SUPPORTS
- ⑰⑱ DESK SIDES
- ⑳㉑ BASE SUPPORTS
- Double ⑮ COUNTER BACK
- Double ⑲ DESK BACK
- ⑳ BASE BACK
- ㉑ DESK BOTTOM
- ㉒ BASE BOTTOM
- Double ㉓ CENTER SUPPORT PANEL
- ㉔ CURVED GLASS COUNTER TOP



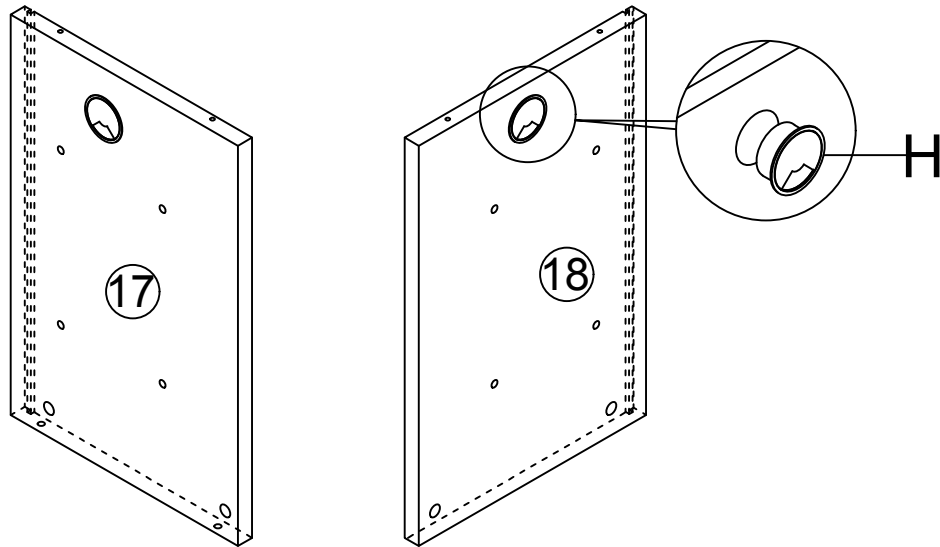
Note: Additional Parts 15, 19, and 20 Included

Bottom Parts 21, 22, 23, 24, and 25 come Pre-Assembled.

1. INSTALL "I" LEVELERS ON THE BOTTOM OF ㉒  
I(5x)



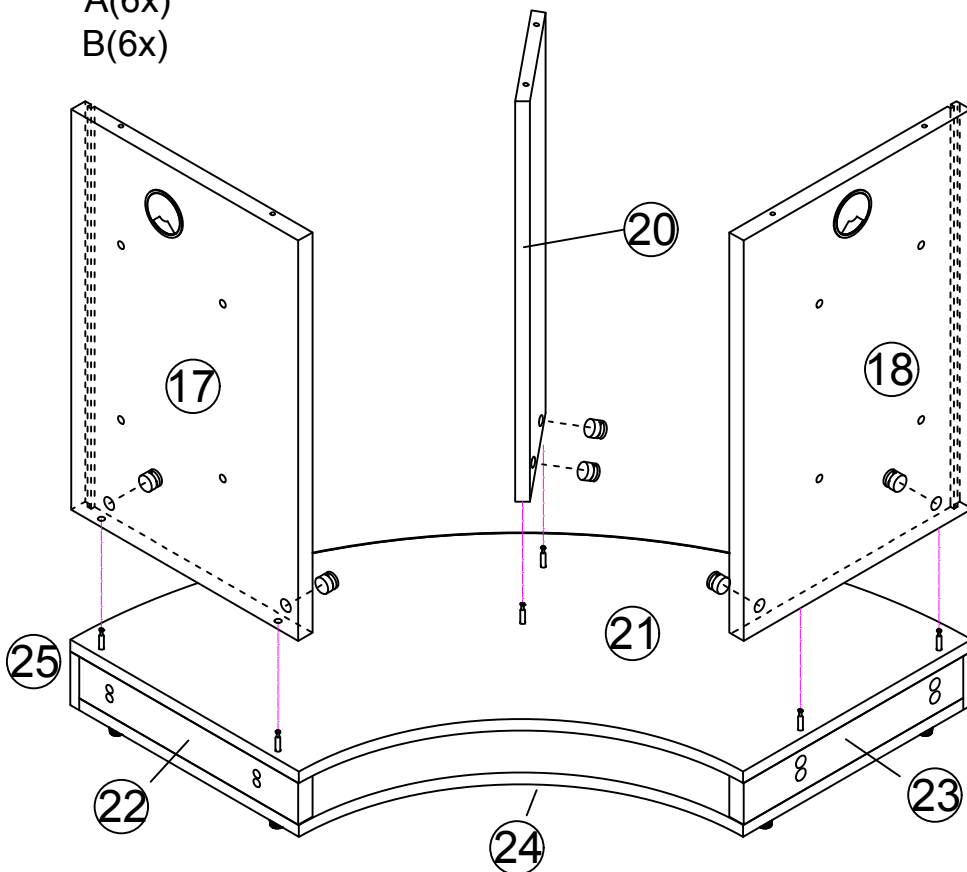
2. INSTALL "H" GROMMETS ON SIDE PANELS ⑰ & ⑱.  
H(2X)




3. CONNECT ⑳ DESK BOTTOM TO ⑰ & ⑱ DESK SIDES & ㉑ BACK PANEL & ㉒ CENTER SUPPORT. INSTALL ㉑ LAST. SEE TWO STEPS BELOW.

- <1> INSTALL "A" CAM SCREWS IN ㉑ AND "B" KLIX CAMS IN ⑰ ⑱ AND ㉒.  
.CONNECT ⑰ ⑱ AND ㉒ TO ㉑, TIGHTEN.

A(6x)  
B(6x)



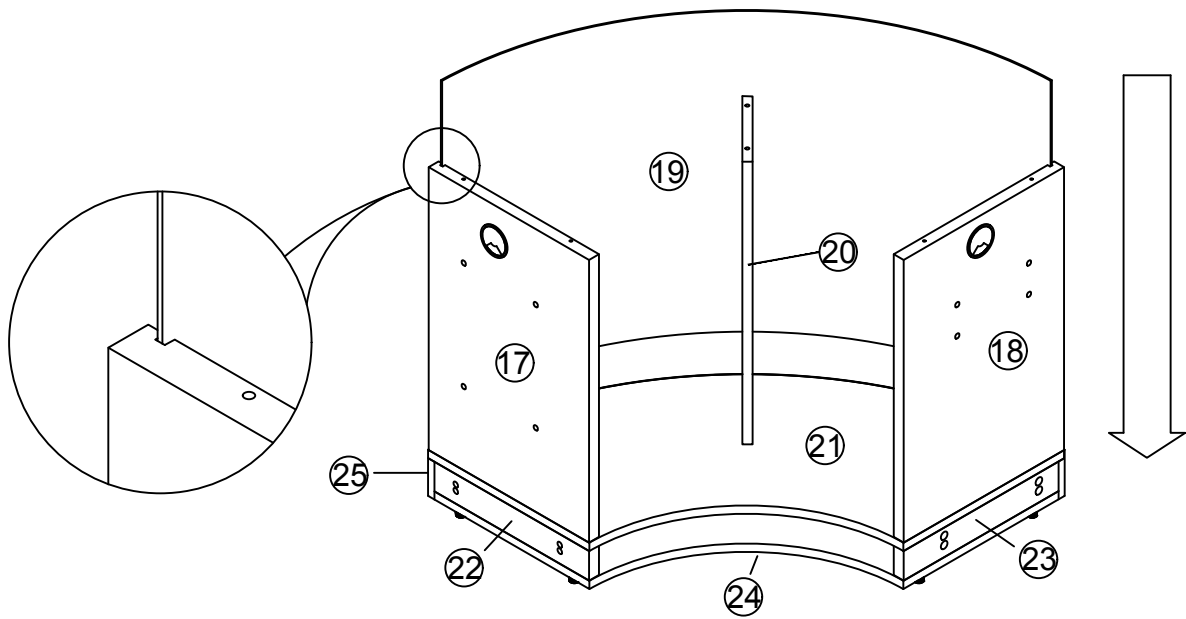
IMPORTANT:  
FUNCTION OF KLIX CAX



1/4 RIGHT  
TURN FOR  
LOCKING

MAKE SURE THE ARROW IS  
POINTING TO THE OPEN  
HOLE BEFORE INSERTING  
INTO THE PANELS HOLE

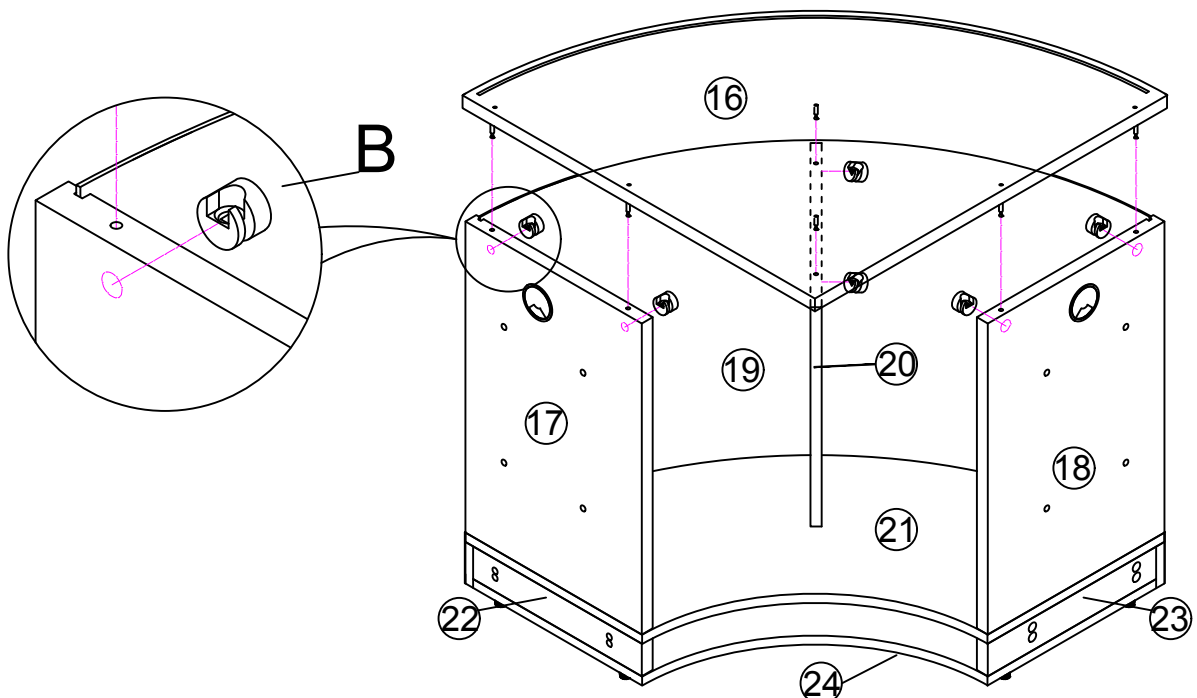
<2> BEND AND SLIDE CURVED BOARD (19)  
INTO GROOVES ON (17) AND (18) .



4. INSTALL "A" CAM SCREWS ON UNDERSIDE OF TOP (16). INSTALL "B" KLIX CAMS ON PANELS (17), (18) AND (20) . CONNECT (16) TO (17), (18) AND (20) USING INSTALLED CAM SCREWS AND KLIX CAMS. TIGHTEN.

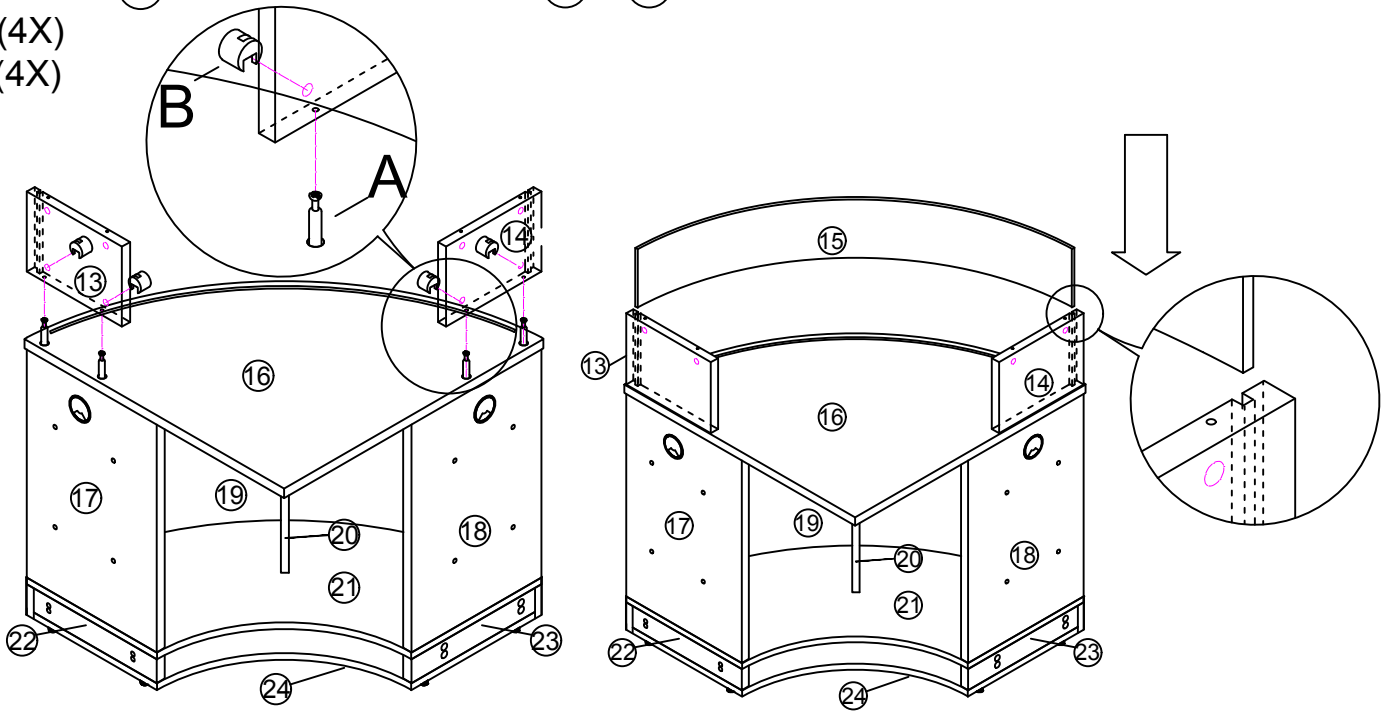
A(6x)

B(6x)



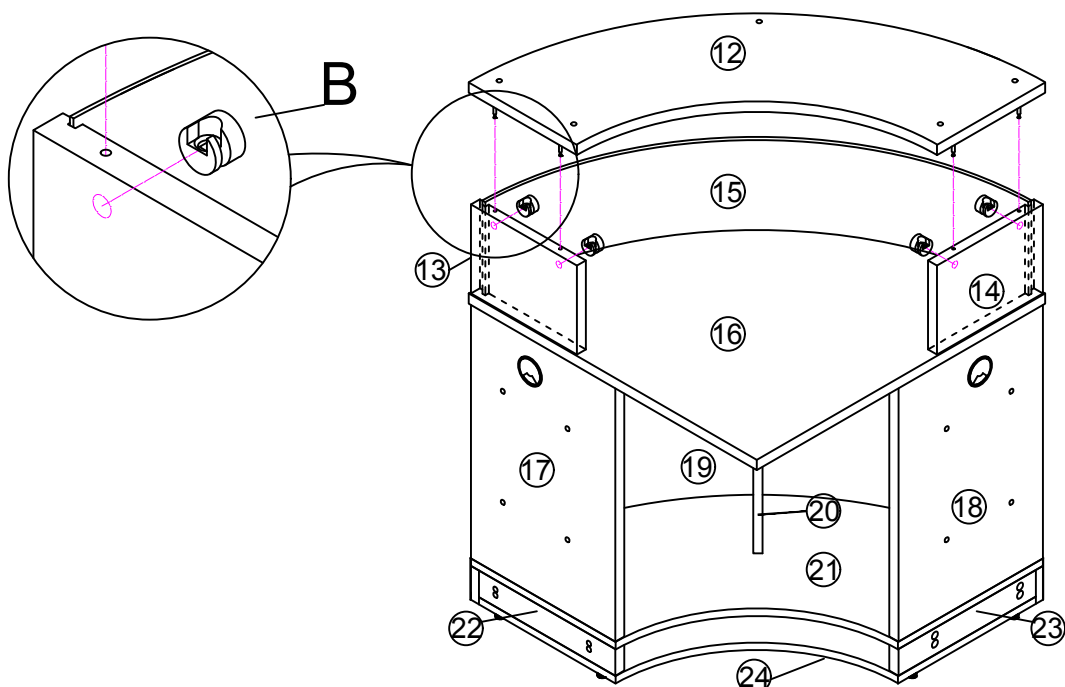
5. INSTALL "A" CAM SCREWS ON PANEL ⑯, INSTALL "B" KLIX CAMS ON SIDE PANELS ⑬ & ⑭. THEN CONNECT PANELS ⑬ & ⑭ TO ⑯ USING ALREADY INSTALLED "A" CAM SCREWS. TIGHTEN. THEN BEND AND SLIDE CURVED BOARD ⑮ INTO GROOVES ON ⑬ & ⑭.

A(4X)  
B(4X)

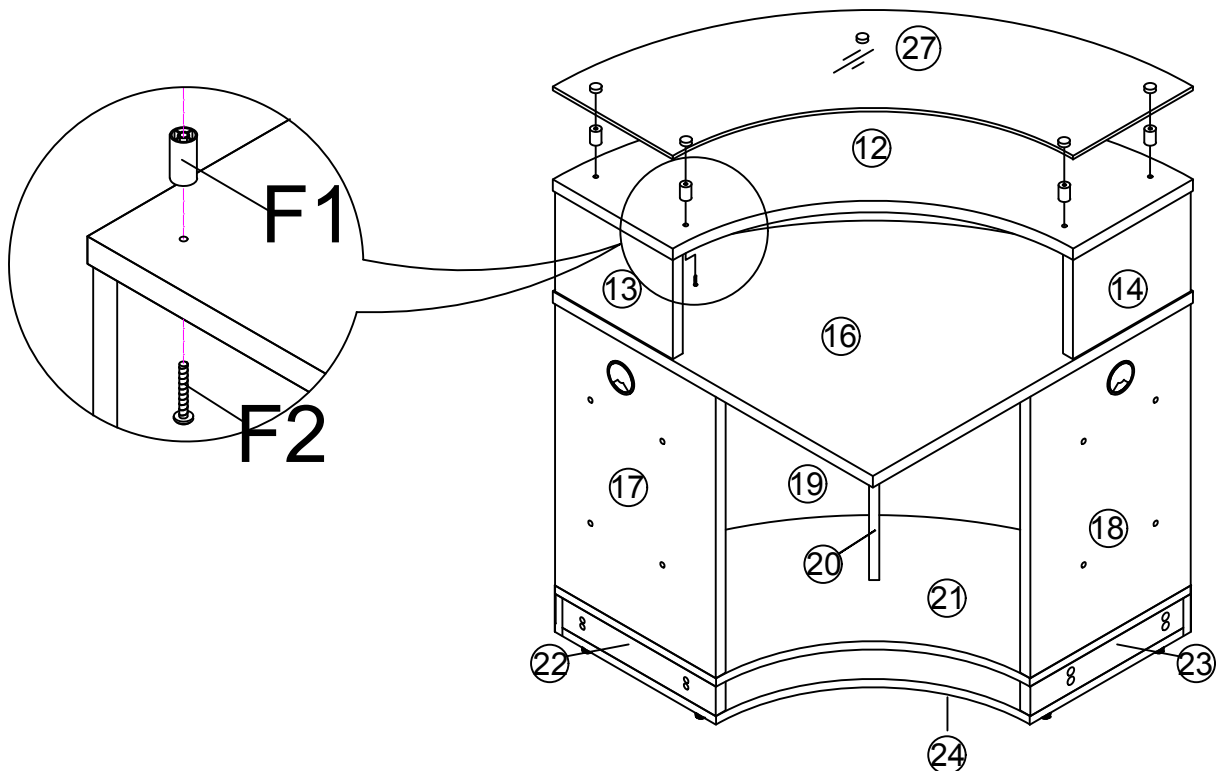


6. INSTALL "A" CAM SCREWS ON THE UNDERSIDE OF COUNTER TOP ⑫. INSTALL "B" KLIX CAMS ON SUPPORTS ⑬ AND ⑭. CONNECT ⑫ TO ⑬ AND ⑭ USING INSTALLED CAM SCREWS AND KLIX CAMS. TIGHTEN.

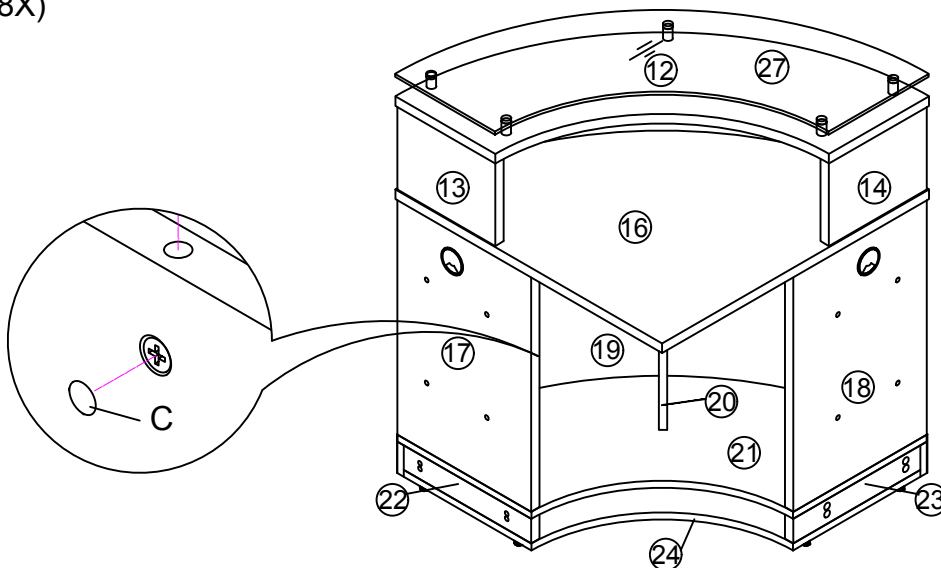
A(4X)  
B(4X)



7. ATTACH THE CURVED GLASS COUNTER TOP (27) TO CENTER (12) USING "F1" GLASS SPACERS AND "F2" SCREWS WITH CARE.  
 F1(5x)  
 F2(5x)



8. USE "C" CAM COVER STICKERS TO COVER ALL EXPOSED KLIX CAMS ON ALL COMPONENTS.  
 C(28X)



Note: If using on an end, Use "C" cam cover stickers to cover additional holes on 17 and/or 18 .